



Agpro, Inc. Warranty

Any warranty work on Agpro equipment is handled on an individual basis through your Agpro Sales Representative. Our normal warranty does not include labor (See Attached). You will need to receive a purchase order number from this representative before work is started.

Your Sales Representative will provide you with a purchase order number for any warranty work. A copy of this signed purchase order must accompany any invoice you send us.

If you have any questions about this policy, be sure and contact your Sales Representative.

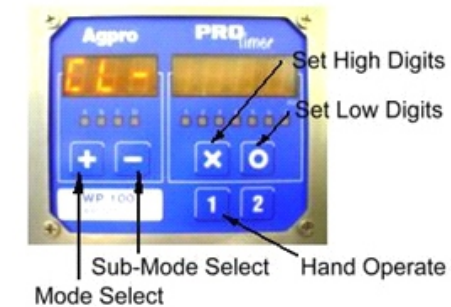
Guarantee

Agpro® equipment is guaranteed against defects in workmanship and material under normal use and service for a period of one (1) year. The Guarantee period shall begin on the date the equipment was shipped from the Agpro factory at Paris, Texas. This warranty may be extended only by a written express warranty signed by an officer of Agpro and delivered to the Buyer, in which case the warranty shall extend for the period of time specified therein. Agpro will repair or replace, at its option, any defective part at no charge when the equipment is delivered to factory for the service work. Buyer will pay any travel expenses to and from the repair site if service work is not to be performed at the Agpro factory. If Buyer chooses to make the repairs himself, Agpro will provide the necessary replacement parts at no charge. THE FOREGOING WARRANTIES AND ALL OTHER REPRESENTATIONS AND WARRANTIES ARE AND SHALL BE SUBJECT TO THE FOLLOWING LIMITATIONS AND DISCLAIMERS, EXCEPT TO THE EXTENT THAT SUCH LIMITATIONS OR DISCLAIMERS ARE PROHIBITED OR DEEMED UNCONSCIONABLE UNDER APPLICABLE LAW: (1) AGPRO IS NOT RESPONSIBLE FOR LABOR COSTS (OTHER THAN FOR LABOR PERFORMED BY AGPRO) TO REMOVE OR REPLACE ANY PARTS OR MATERIALS OR FOR COSTS OF TRANSPORTATION TO OR FROM THE AGPRO FACTORY. (2) AGPRO'S LIABILITY UNDER THIS WARRANTY SHALL IN ALL EVENTS BE LIMITED TO REPLACEMENT OF THE DEFECTIVE EQUIPMENT OR PARTS OR REFUND OR CREDIT FOR THE PURCHASE PRICE PAID FOR SUCH EQUIPMENT OR PARTS, AT AGPRO'S DISCRETION. (3) THIS WARRANTY DOES NOT APPLY TO ANY PART OF THE EQUIPMENT NOT MANUFACTURED BY AGPRO, OR TO ANY EQUIPMENT NOR TO ANY ACCESSORIES FROM OUTSIDE SOURCES WHICH ARE INCORPORATED INTO ANY AGPRO MANUFACTURED PRODUCT WHICH ARE WARRANTED ONLY TO THE INTENT OF AND BY THE ORIGINAL MANUFACTURER'S WARRANTY OR GUARANTEE IF ANY; NOR TO ANY EQUIPMENT ALTERED OUTSIDE THE AGPRO FACTORY, NOR TO ANY EQUIPMENT WHICH HAS BEEN SUBJECTED TO ANY ABUSIVE OR IMPROPER USE OR DAMAGED DUE TO A DEFECTIVE POWER SUPPLY OR IMPROPER ELECTRICAL PROTECTION. (4) THIS WARRANTY DOES NOT APPLY TO ANY EQUIPMENT WITH MOVING OR ROTATING PARTS EXPOSED TO SAND. THIS WARRANTY IS GIVEN IN PLACE OF ALL OTHER REPRESENTATIONS OR EXPRESS OR IMPLIED WARRANTIES, WHETHER OF MERCHANTABILITY, SUITABILITY, FITNESS FOR ANY PARTICULAR PURPOSE OR ANY OTHER KIND. ALL REPRESENTATIONS OF WARRANTIES OTHER THAN AS STATED IN THIS PARAGRAPH ARE HEREBY EXPRESSLY DISCLAIMED, OR, IF THEY CANNOT BE DISCLAIMED, THEN THEY SHALL BE LIMITED IN DURATION TO 30 DAYS.

AGPRO®, INC



Programming Instructions for Pro Timer Model dJ400 Controls two Deck Jet pumps



General Nots for the dJ400:

1. The dJ400 controls two Deck Jet pumps
2. At input a low water switch is provided
3. A fault will cause alarms and automatic shutdown of the Deck Jet system



MODES



SUB MODES



SET FIRST DIGITS



SET LAST DIGITS

Spray times _____

SP-

SP1

Set Time, Seconds ~ 5

Spray 1 - OFF time

(1 to 30)

SP2

Set Time, Seconds ~1 5

Spray 1 - ON time

(1 to 30)

SP3

Set Time, Seconds ~ 5

Spray 2 - OFF time

(1 to 30)

SP4

Set Time, Seconds ~15

Spray 2 - ON time

(1 to 30)

SP5

Spray Interval ~ 1

Interval

(1 to 30) 1 is every time

Hand Operate _____

HO-

HOP

Select 1 or 2

Operate _____

*after 4 seconds display changes to dJ0, when deck jet 1 is started the display changes to dJ1 and the number of seconds run is shown. When deck jet 2 is started the display will change to dJ2.

OP-

OPS

Set output number 1-4

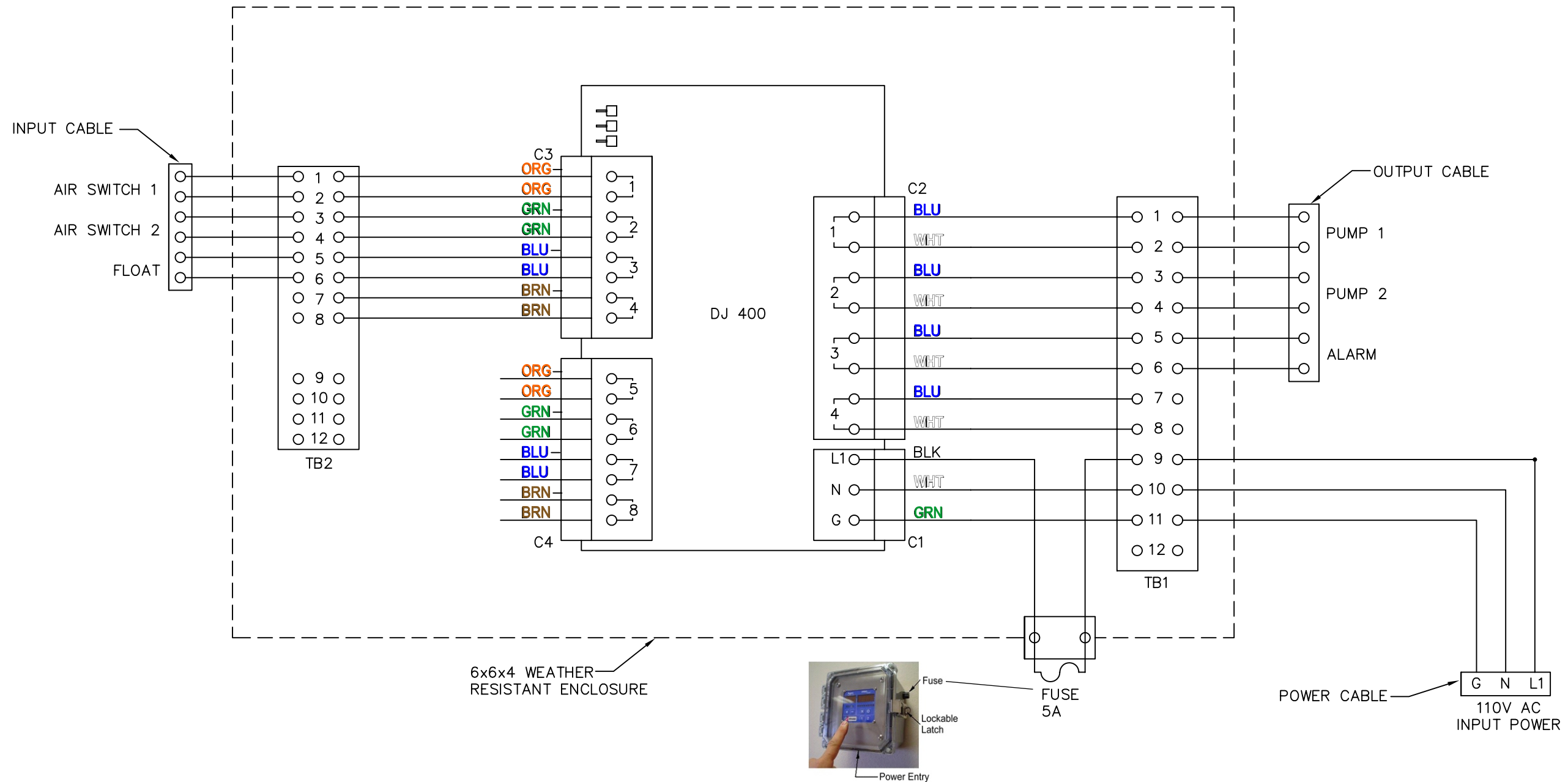
1 = Operate / **0** = Off

Makes outputs active

Active outputs are lit

Turn Deck Jet System OFF _____

OFF



- NOTE:
1. LIMIT OUTPUT CURRENT TO 1 AMP OR LESS FOR EACH DEVICE.
 2. ORG- = ORANGE + STRIPE WIRE
 3. ORG = ORANGE WIRE
 4. CABLES TO EXTEND 30" FROM BOX

TOLERANCES UNLESS OTHERWISE SPECIFIED		Agpro® PARIS, TEXAS		
.X =	± .03	MODEL: DECK JET SCHEMATIC		
.XX =	± .010	DESCRIPTION: INTERCONNECT FOR DJ 400		
.XXX =	± .005			
APPROVAL	BY	SCALE:	DATE:	DRAWING NO.
DRAWN	DLG	NONE	26-MAY-04	
CHECKED		SHT:	REVISED:	BY: